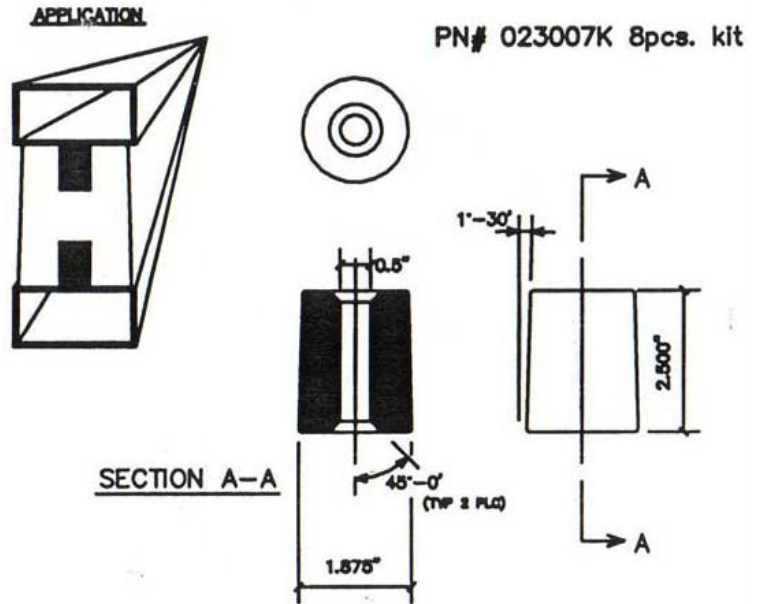


Vibe Table Replacement Vibration Isolator Bushings

These bushings are replacement vibration Isolator Bushings for Gruber Vibration Tables (aka Vibe Tables)

Vibration Isolator Bushings for "New Style" Pneumatic Vibration Tables

"New Style" means Gruber Pneumatic Vibration Tables constructed of Tubular Steel Frame members.



Order Information

Replacement Kit of 8 Bushings (to replace all 8 bushings) - #023007K

Note: No longer sold individually.

***STANDARD FOR NEW PNEUMATIC VIBRATION TABLES**

Vibration Isolator Bushings for use with "Old Style" Gruber

"Old Style" means Gruber Pneumatic Vibration Tables

(no longer manufactured)

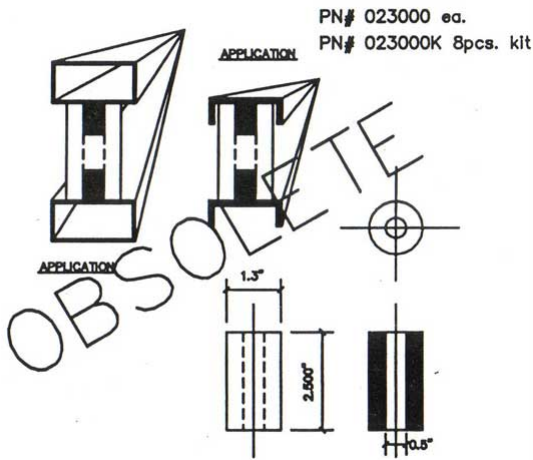


Showing different ends of the part.



Kit of 8 pieces

Pneumatic Vibration Tables



Order Information

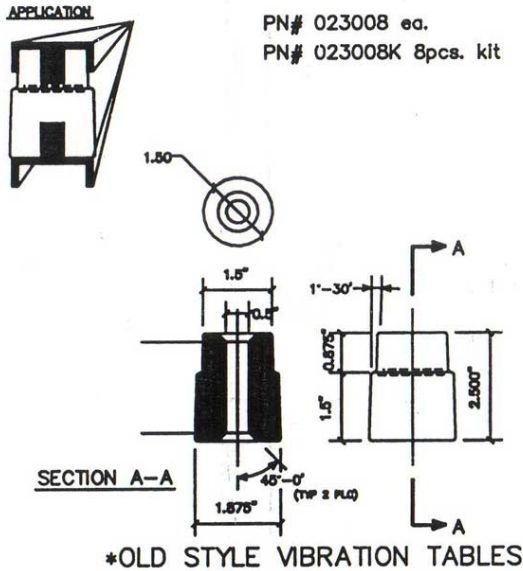
Replacement Bushing - Each - #023000

Replacement Kit of 8 Bushings (to replace all 8 bushings) - #023000K

*OLD/NEW STYLE VIBRATION TABLES

Vibration Isolator Bushings ("OLD Style" Vibration Tables)

For use with old style (no longer manufactured) Gruber pneumatic Vibration Tables with channel top frames.



Old Style "stepped" vibe bushing, for use with old style tables with channel top frames.

NOTE: Call before ordering. Limited Supplies available.

Order Information

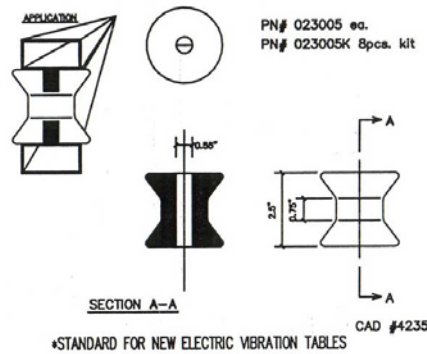
Replacement Bushing - Each - #023008

Replacement Kit of 8 Bushings (to replace all 8 bushings) - #023008K

(OBSOLETE)

*OLD STYLE VIBRATION TABLES

Vibration Isolator Bushings (Standard NEW ELECTRIC Tables)



Replaces vibrator bushings. 023000 used on 3PH Electric Vibrator Table.

Note: When replacing an original bushing, you must replace all bushing, and you may need to lower the table by 1/4". To replace an original, buy the kit.

Order Information

Replacement Bushing - Each - #023005

Replacement Kit of 8 Bushings (to replace all 8 bushings) - #023005K