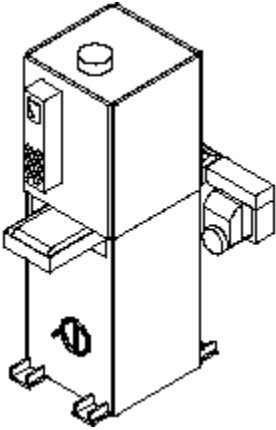


Sanding Belts



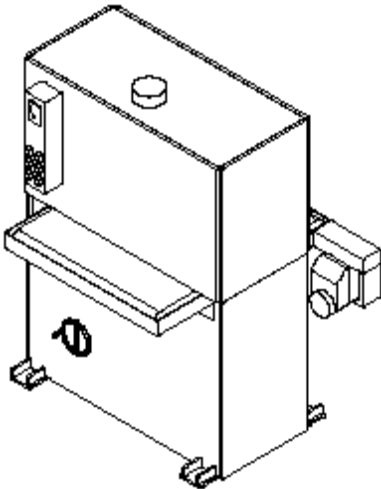
For use with Gruber's **15" Panel Sander**

Note, this belt sander utilizes 15" x 60" sanding belts

36 Grit (Qty 1) - #A1560B36

60 Grit (Qty 1) - #A1560B60

120 Grit (Qty 1) - #A1560B120



For use with Gruber's **37" Panel Sander**

Note: this belt sander utilizes either 37" x 60" belts, or 37" x 75" belts.

37" x 60"

40 Grit Belts (Qty 3) - #0831144

60 Grit Belts (Qty 3) - #111677

80 Grit Belts (Qty 3) - #0831485

120 Grit Belts (Qty 5) - #111679

150 Grit Belts (Qty 5) - #0831486

180 Grit Belts (Qty 5) - #1116861

240 Grit Belts (Qty 5) - #1116862

320 Grit Belts (Qty 5) - #1116771

400 Grit Belts (Qty 5) - #0831487

600 Grit Belts (Qty 5) - #0831492

800 Grit Belts (Qty 5) - #0831488

1200 Grit Belts (Qty 5) - #0831489

Other Wide Belt Sander Belts (limited availability - call first)

Description/Order Number

Sanding Belt 37 x 60" - 120 grit - Ea - #SSB120

Sanding Belt 37 x 60" - 240 grit - Ea - #SSB240

Sanding Belts for hand-held Belt Sanders

Description/Order Number

Sanding Belt 3 x 21" - 40 grit - Box of 10 - #SB321-B