

Soothing Pak" Whirlpool Kit

Premium Whirlpool Kit with more power, and three separate control "zones"



The Duraflo **Soothing Pak Whirlpool Kit** offers customers a sophisticated hydro massage installation, with increased power and controls not found in ordinary whirlpool baths.

The Soothing Pak kit includes three separate air flow controls to **independently control the force for three separate "zones"- the sides, the back and the feet.** The system combines a variety of different jets that are appropriate for each zone. Because of the increased flow requirements of this tub, this kit is equipped with a more powerful 9.5 amp pump (approximately 1 HP), as well as 1" hose system rather than traditional 3/4" hose found in most systems.

Above - a Soothing Pak Whirlpool Kit installed on a Gruber Mark 23 cast polymer tub.

Note - complete Soothing Econo Paks are available in White only, although some individual components may be available in other colors and finishes. Call your Sales representative at (866) 260-6457 for assistance if you need any color other than white.

"Soothing Pak" System Components:

- Powerful 8-10 Jet Soft Massage, 9.5 Amp Pump with 1" Hose Fittings (Model 001460E) - (1)*
- VIP 3 Eyeball Jets* (4)
- Mini Eyeball Jets (2) (requires 1/2" hose)
- Mini Whirly Jets (2) (requires 1/2" hose)
- Control Flow Spa Jets (4)
- Suction (Standard) (1)
- Air Flow Controls (3)
- Pneumatic On/Off Controls (1)
- Manifold (1)
- Assorted Fittings (Tees and Elbows) (1)

Note: Glue and Hose are NOT included in this kit, and must be ordered in addition to the kit. For this kit, both 1" flex hose and 1/2" hose is required. Those items are listed below, along with the recommended length (in feet) of each.

Order Information

Note: Whirlpool Kits vary in terms of which jets and capset styles are used, the capset color or finish, the length of the jet wall fittings and other variables. If you don't see the kit you want below, please contact your Sales representative for other options.

Description/Order Number

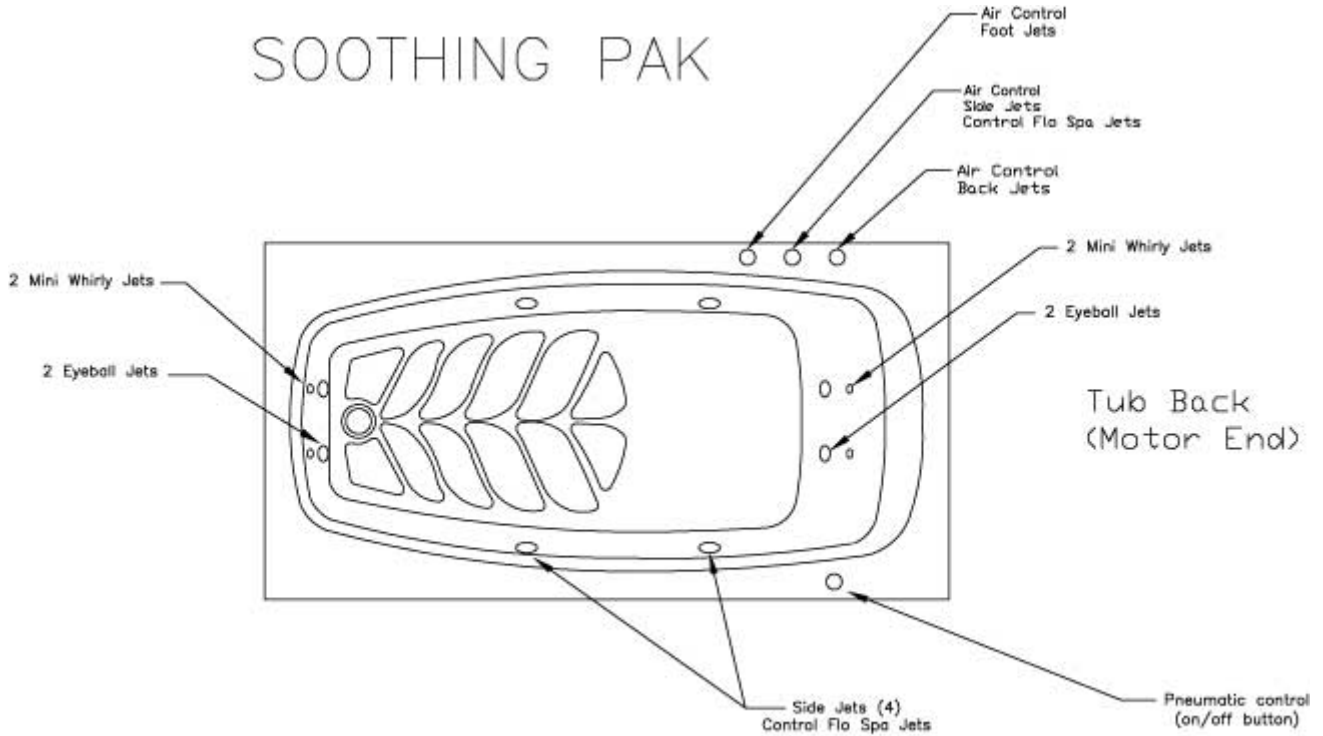
Soothing Pak (with VIP 3 Classic White Capsets), Medium Wall Fittings, and 115V/60Hz Pump - **#SO3099M60***

* VIP 3 White Jet is standard, but if you prefer a VIP 4 white jet assembly/facecap, then please contact your Sales representative.

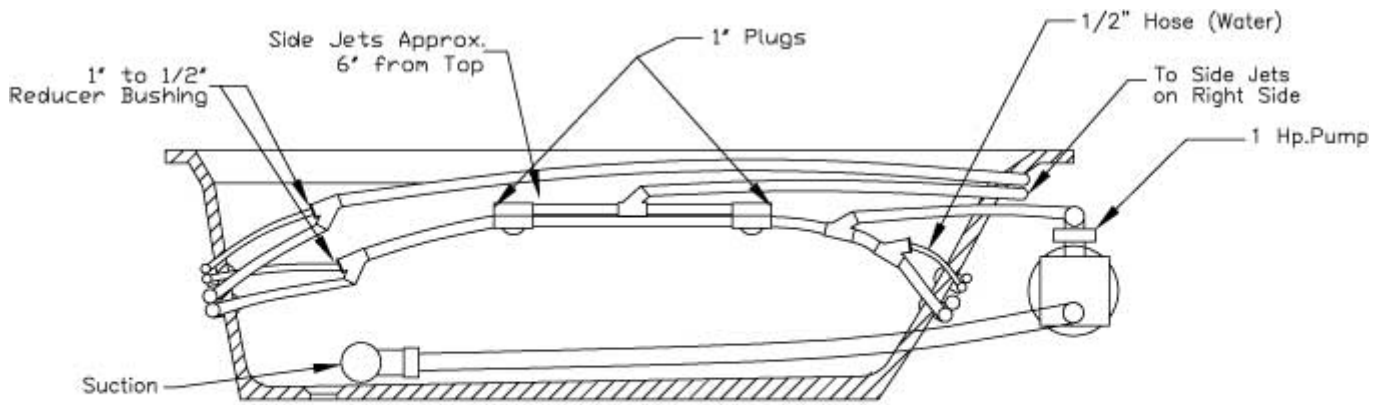
Note: It is possible to replace the standard white air flow controls and on/off switch with other finishes besides white, such as Brushed Nickel, Oil Rubbed Bronze, etc. Those items would have to be purchased separately. Contact your Sales representative if you are interested in this configuration.

Whirlpool Kit Diagram (shown installed on a cast polymer tub)

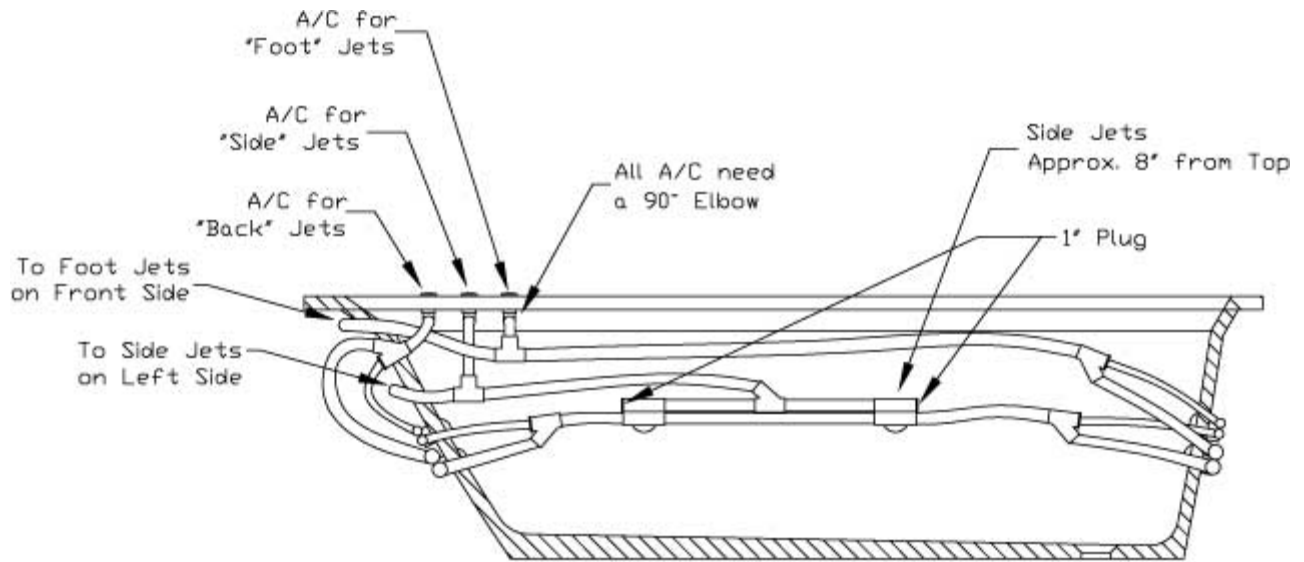
SOOTHING PAK



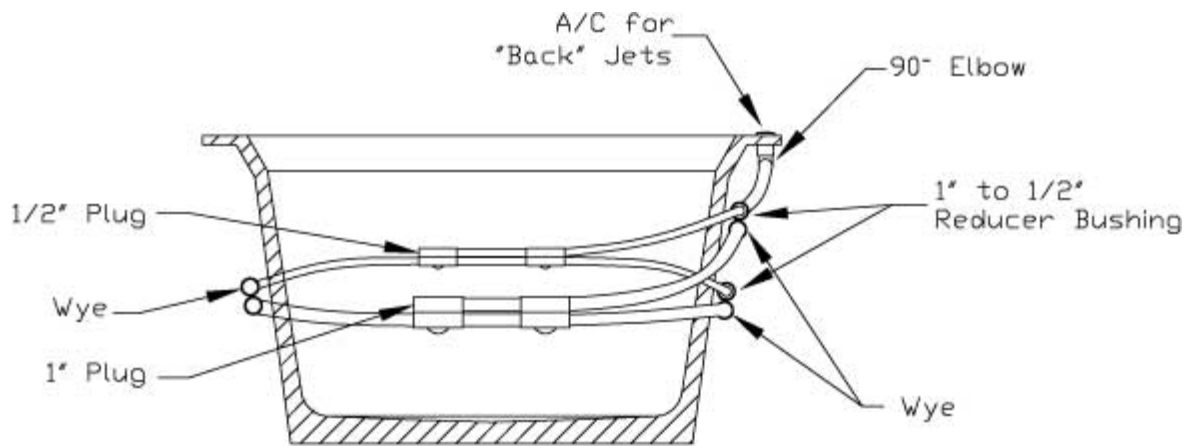
Top View



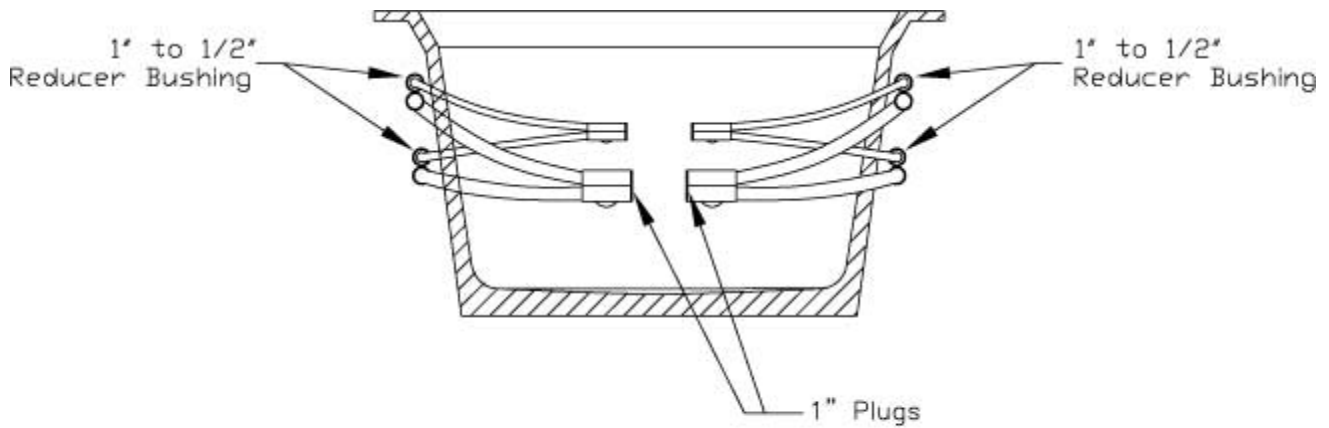
Left Side View



Right Side View



Back



Front
(Foot Jets)